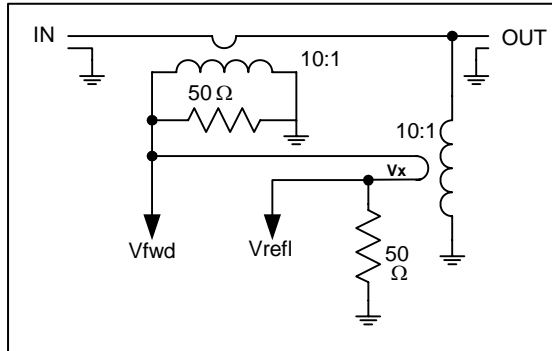


8/12/2009

Signal levels in a Stockton SWR bridge



Power input	watts	0.1	0.5	1	5	10	100	1000
VLine (50 ohm load)	v, rms	2.236	5.000	7.07	15.81	22.36	70.71	223.61
VLine (open ckt)	v, rms	4.472	10.000	14.14	31.62	44.72	141.42	447.21
Vxo	v, rms	0.447	1.000	1.41	3.16	4.47	14.14	44.72
Vfwd, Vrefl (max value)	v, rms	0.224	0.500	0.71	1.58	2.24	7.07	22.36
PRo	watts	0.001	0.005	0.01	0.05	0.10	1.00	10.00
PRdb	dbm	0.000	6.990	10	17	20	30	40
VADo	v, dc	2.100	2.275	2.35	2.52	2.60	2.85	3.10
Vdio	v, dc	[Low]	[Low]	0.70	1.94	2.86	9.70	31.32

NOTES:

Vxo = rms voltage across line voltage transformer secondary with line open-circuit

VR, Vfwd, Vrefl = max. rms voltage at Vfwd and Vref terminals

PRo = power dissipated in 50 ohm resistor, line open-circuit

PRdb = PRo in dbm

VADo = max. dc output from AD8370 log amplifier detector, if used.

Vdio = max. dc output from Schottky diode detector, if used